

# IPM115 | Travelmount® Mini Windshield Mount for Apple® iPhone™




## Package Contents:

- (1) CM014-KST-2SH - Windshield suction or dash mount
- (1) CC005-IP - Custom cradle for Apple iPhone
- (1) AP036 - Adhesive circular disc
- (1) Alcohol cleaning pad

## Compatible with:

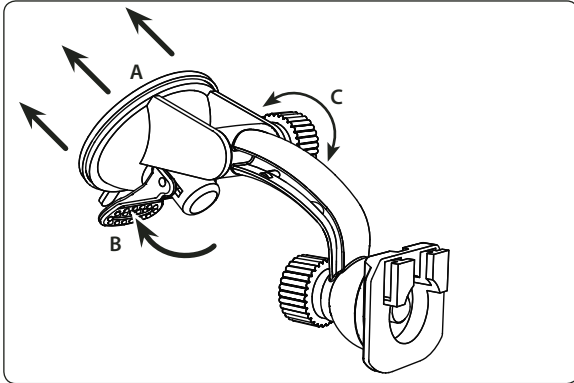
- Apple iPhone 3G and Original iPhone

Apple brand name and iPhone product name are trademarks or registered trademarks of Apple, Inc. Arkon Resources, Inc. is not affiliated with Apple, Inc.

 Do not place mount in or near an air bag deployment zone or where it will obstruct view of the road.

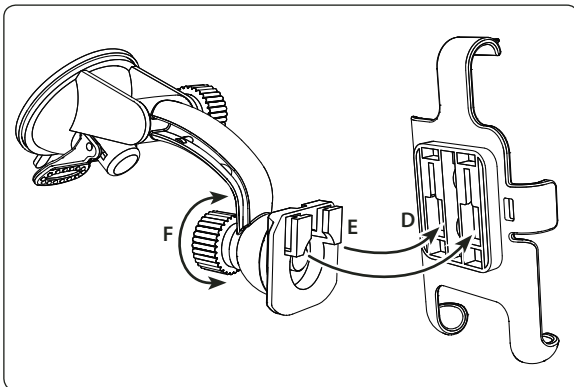
## Windshield Mount Installation

- Step 1. Find a safe location on the interior of the vehicle's windshield to mount the pedestal. Firmly push the suction base (A) against the windshield and flip the base lever down (B) to the locked position. See diagram below.
- Step 2. Adjust the angle of the pedestal arm by tightening the angle adjustment knob (C) at the base to the desired angle.



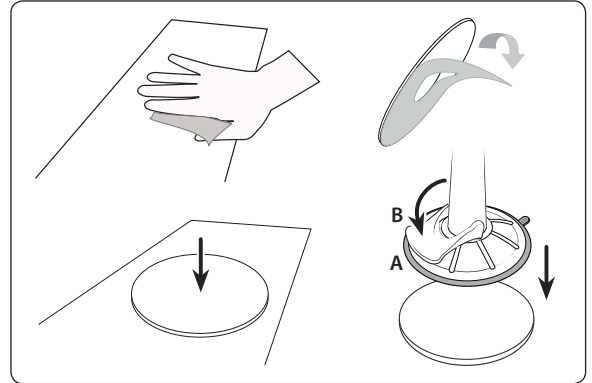
## Connect iPhone Cradle to Pedestal

- Step 1. Connect the dual T-slots (D) on iPhone cradle to the dual T-tabs (E) on the pedestal head. Adjust the angle and rotation of the head by tightening the head adjustment knob (F).



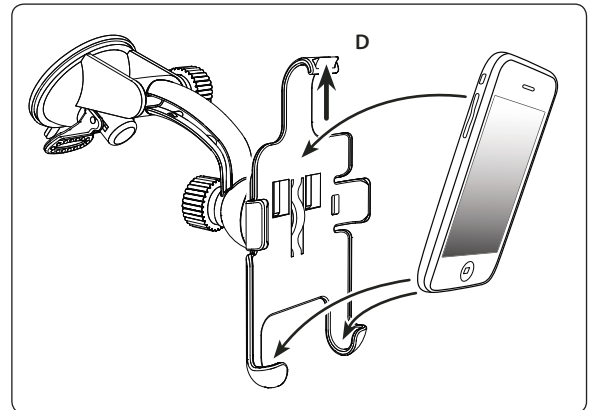
## Dash or Console Mounting (Optional)

- Step 1. Find a safe location on the dash or console. Use the included alcohol pad to clean the mounting surface if necessary. Remove the paper backing on the adhesive disc and firmly press in place.
- Step 2. Place the pedestal's suction base (A) over the center of the circular disc. While firmly holding the pedestal on top of the disc, flip the base lever down (B) to the locked position.



## iPhone Insertion and Removal from Cradle

- Step 1. Lift and hold the upper thumb tab (D) while gently lowering the iPhone device (not included, sold separately) into the cradle.



## Safety Precautions

Do not install Arkon products over an air bag cover or within the air bag deployment zone. Arkon Resources, Inc. assumes no responsibility of liability for injury or death as a result of car crashes and /or air bag deployment.

Arkon is not responsible for any damages caused to your car, your device, or yourself due to the installation or use of this pedestal mount.

**ARKON**  
RESOURCES INC.

The Mobile Mounting Specialists™

Consumer Hotline:

USA (800) 841-0884

INT'L (626) 254-9005

Monday - Friday 9 am - 5 pm, PST

[www.arkon.com](http://www.arkon.com)

Arcadia, CA 91006 USA

Designed in USA | Made in China and Taiwan

© Copyright 2008 Arkon Resources, Inc.