

IPM129-ST | Removable Air Vent Mount for Apple® iPhone™



CM047-ST2-RVC
Removable Air
Vent Mount

CC005-IP
Custom Cradle
for iPhone

Package Contents:

- (1) CM047-ST2-RVC - Air vent mount
- (1) CC005-IP - Custom cradle for Apple iPhone

Compatible with:

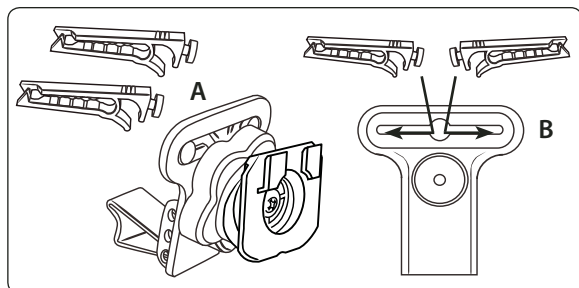
- Apple iPhone 3G and Original iPhone

Apple brand name and iPhone product name are trademarks or registered trademarks of Apple, Inc. Arkon Resources, Inc. is not affiliated with Apple, Inc.

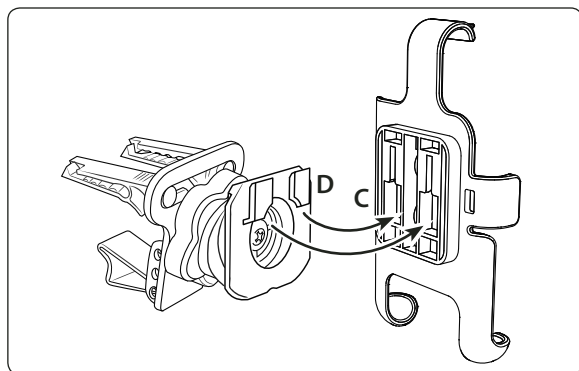
⚠ Use caution when installing and removing the vent mount and adjusting the swivel movement to avoid damaging your air vents.

Air Vent Mount Assembly, Cradle Connection, and Installation

Step 1. Attach the vent mounting clips (A) to the back of the pedestal (B) with the vent clips positioned with the flat sides facing up.

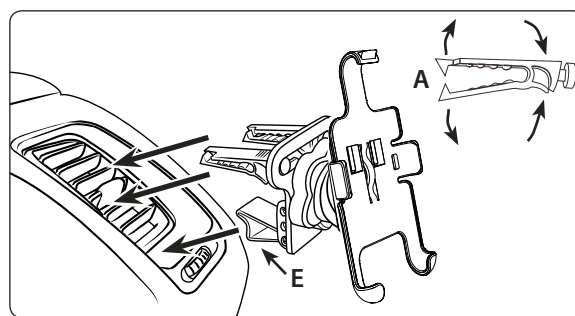


Step 2. Connect the dual T-slots (C) on the back of the iPhone cradle to the dual T-tabs (D) on the air vent pedestal head.



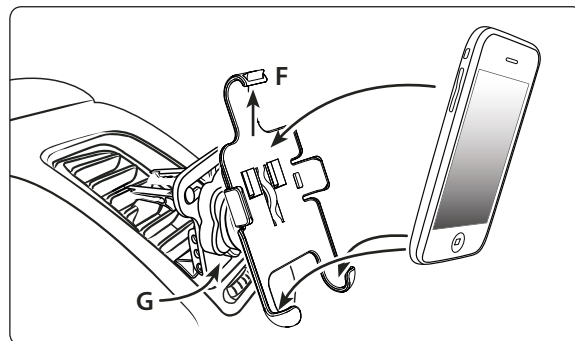
Step 3. Pinch the vent mounting clips (A) so that the teeth open and gently insert vent pedestal into vent louvres until the mounting clips are attached to the fin/blade of the vent. Adjust the support leg (E) vertically until it rests firmly along the bottom of the vent or dash surface below the vent.

Continued on next column...



iPhone Insertion and Removal from Cradle

Step 1. Lift and hold the upper thumb tab (F) while gently lowering the iPhone device (not included, sold separately) into the cradle.



Step 2. Adjust the lateral angle and the rotation of the pedestal head by loosening the swivel tightening ring (G).

⚠ Use caution when inserting or removing the pedestal or the iPhone from the cradle. Make sure that the teeth of the vent clips are open wide enough to not damage the vent fins/blades.

⚠ Safety Precautions

Do not install Arkon products over an air bag cover or within the air bag deployment zone. Arkon Resources, Inc. assumes no responsibility of liability for injury or death as a result of car crashes and/or air bag deployment.

Arkon is not responsible for any damages caused to your car, your device, or yourself due to the installation or use of this pedestal mount.

ARKON
RESOURCES INC.

The Mobile Mounting Specialists™

Consumer Hotline:

USA (800) 841-0884

INT'L (626) 254-9005

Monday - Friday 9 am - 5 pm, PST

www.arkon.com

Arcadia, CA 91006 USA

Designed in USA | Made in China and Taiwan

© Copyright 2008 Arkon Resources, Inc.